

Note!
Work on the 230V~ network can only be carried out by people with applicable qualifications.
All work should be done with the voltage supply disconnected.
To avoid danger and damage observe the guidelines given in this instruction

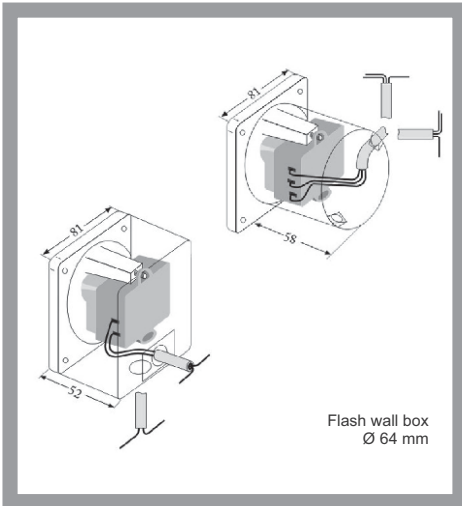
973 486 AL Ver.3



973 486 AL



Key rotary shutterswitch



Flash wall box
Ø 64 mm

Red blocking insert fully pushed in - the "without support" function. (the product name contains the words "normally open")

Red blocking insert pushed in half-way - the "with support" function. (the product name does not contain the words "normally open")

Technical data	
Mains voltage	250 V AC
Max. rated current	max. 10A
Contacts	max. 2-pole
Terminals	max. 2,5 mm ²
Ambient Temperature.	-30° C + 50° C

Securing (blocking) the switch
To prevent unauthorized access to electrical contacts inside the switch, tighten the screw behind the catch fully home. First, turn the key counter clockwise and keep it in this position. The securing catch is now unlocked. Then use a screwdriver to push the catch and tighten the screw behind it fully home.

Opening with the catch securing against unauthorized access to the inside of the switch.

Assembly manual

To install the switch, put the key into the lock and turn counter clockwise until a slight resistance is felt. The securing catch is now unlocked and screw under it can be removed with a screwdriver.

Each standard switch has two red blocking inserts fixed to the top part of the body. With inserts pushed in half-way, the switch performs the "with support" function. When the insert is fully pushed in, the switch performs the "without support" function (the product name contains the words "normally open").

The switch should be installed by authorized personnel. Perform installation with voltage off!

Wiring diagram for 1 motor

Operation: UP / DOWN
Marking on the lid: ▲ ▼

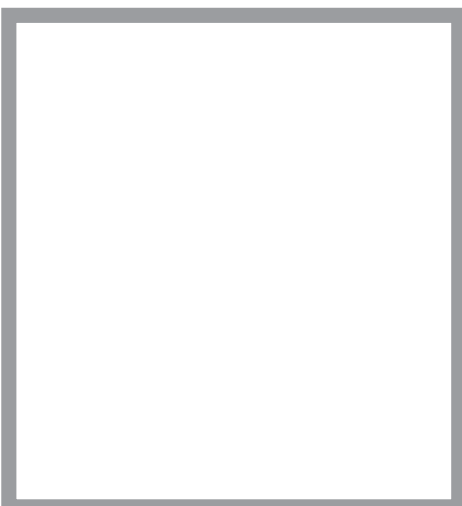
Connection diagram for motor control

Motor control system

Operation: pulse
Marking on the lid: ↻

Connection to 1 ceiling mounted garage door opener

Connection to 2 ceiling mounted garage door openers

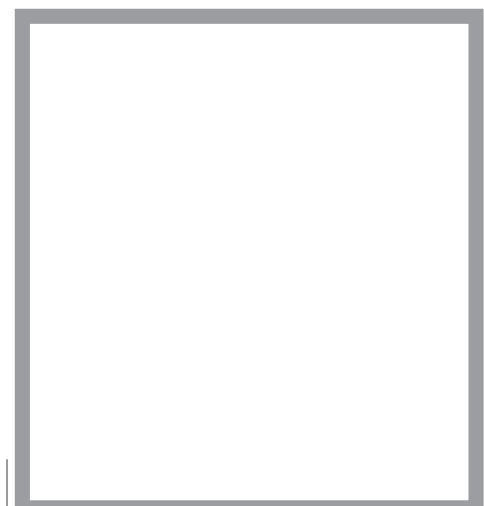


Warranty

A warranty period of 24 months is offered on products, from date of manufacture, relating to any material or manufacturing defect. If any product is found to be defective it must be returned via the installer and supplier (wholesaler). The warranty is withdrawn if :

- after inspection by quality control dept the device is found to have been installed in a manner which is contrary to IEE wiring regulations and accepted practice within the industry at the time of installation.
- the procedure for the return of goods has not been followed.

Explanation of defect must be included when



Подключение, монтаж и запуск в эксплуатацию должны выполняться квалифицированным персоналом в соответствии с нормативно-правовыми актами региона, где производится установка.

Все работы должны выполняться при отключенном питании. Электрическая сеть должна быть оборудована защитным заземлением.

Выключатель должен располагаться в пределах видимости роллеты, на безопасном расстоянии от подвижных частей, на высоте не менее 1,5м.

При использовании изделия снаружи (на улице) электрические кабели должны быть проведены в специальных защитных кожухах. Не допускается параллельно подключать несколько приводов к выключателю. Не допускается подключать несколько выключателей к одному приводу.

⚠ Для безопасности необходимо следовать всем указаниям. Неправильный монтаж может привести к травмам людей или повреждению имущества.

Выключатель SAPF (SAP 2R/1 M) IP54



Выключатель SUPF (SUP 2R/1 M) IP54



973 486 AL Ver.3

